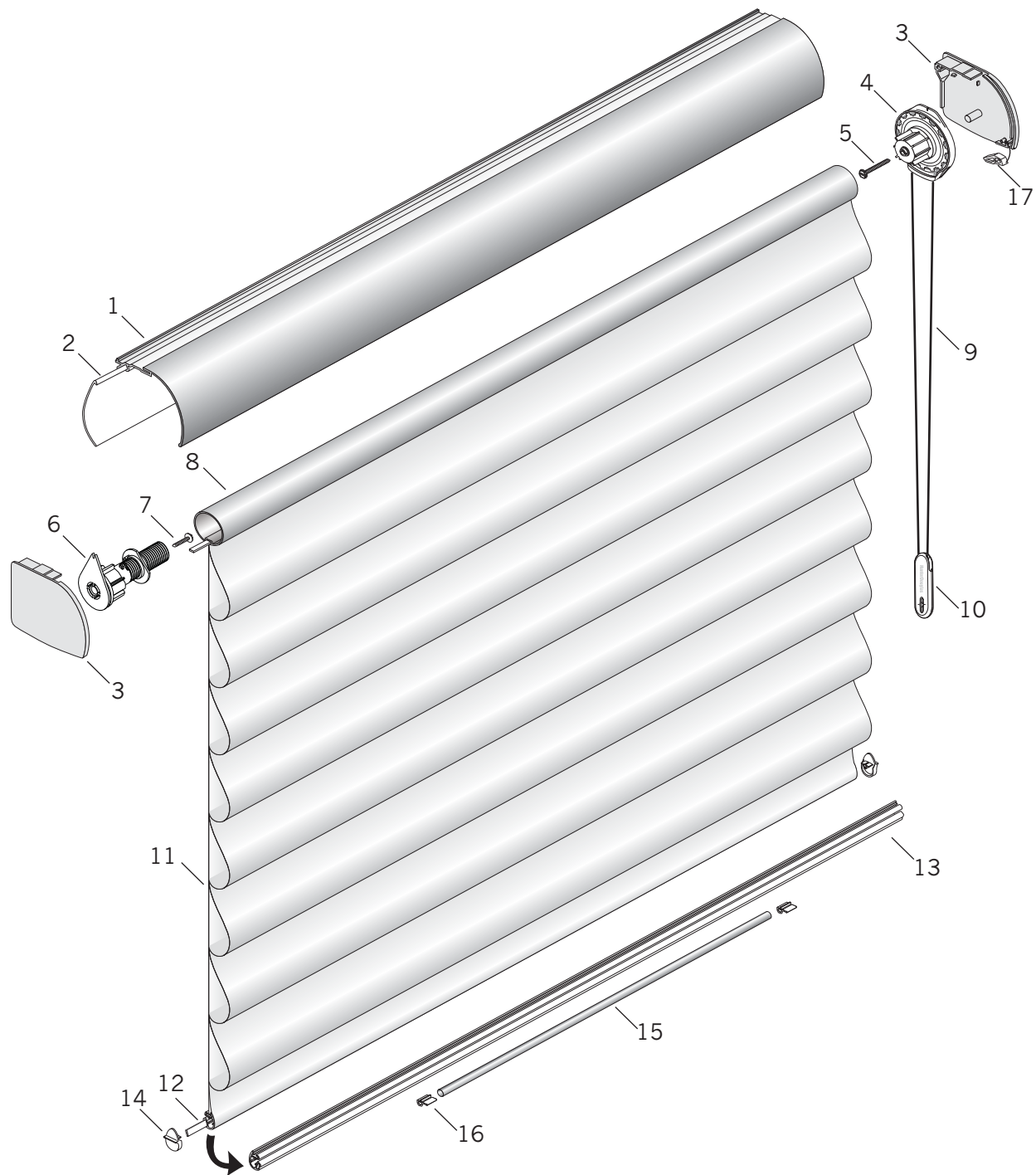


Vignette® EasyRise® Standard



Standard Parts

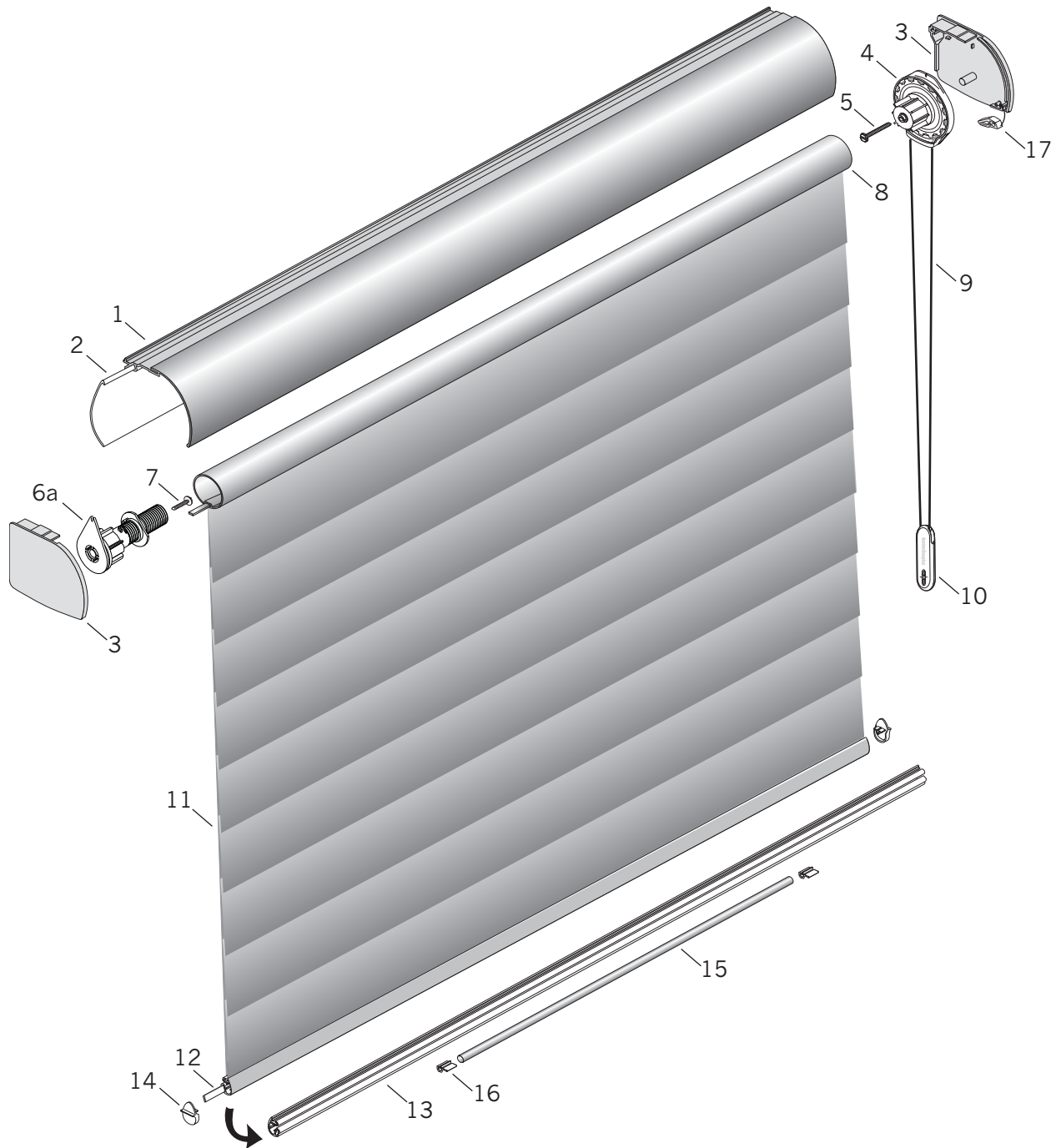
- | | | |
|----------------------------|--|-------------------------------|
| 1. Fabric-Covered Headrail | 7. Screw (Limit Side) | 13. Bottom Rail |
| 2. Fabric Guard | 8. Rotator Rail | 14. Bottom Rail End Cap (Set) |
| 3. Headrail End Caps | 9. Cord Loop | 15. Bottom Rail Weight |
| 4. Clutch | 10. Universal Cord Tensioner | 16. Bottom Rail Weight Clip |
| 5. Screw (Clutch) | 11. Fabric | 17. Snap in Rail Stop |
| 6. Limit Assembly | 12. Poly Rod Assembly ^W /Adhesive | |

Vignette® EasyRise® Standard

No.	PCN	Description
1.	3400010320	Fabric-Covered Headrail
2.	3400320000	Fabric Guard
3.	3400020XXX	Headrail End Cap Set
4.	3400034000	Clutch
5.	4150159000	Screw (Clutch)
6.	3402168000	Vig. Limit Assembly, R
	3402167000	Vig. Limit Assembly, L
7.	4150158000	Screw (Limit Side)
8.	3400100xxx	Rotator Rail
9.	Cord Loop	
	3400120000	1'
	3400130xxx	2'
	3400140xxx	3'
	3400150xxx	4'
	3400160xxx	5'
10.	4150042xxx	Universal Cord Tensioner
11.	N/A	Fabric – 3" or 4" Fold Size
12.	N/A	Poly Rod Assembly ^w /Adhesive
13.	3400350785	Bottom Rail
14.	3401095xxx	Bottom Rail End Cap (Set) – Clutch Side (25 Sets/Carton)
15.	3400210000	Bottom Rail Weight
16.	3400070785	Bottom Rail Weight Clip
17.	3402194000	Snap-In Rail Stop (Only used on shades 30" or less in length)

xxx = 3-digit color code

Vignette® Tailored



Standard Parts

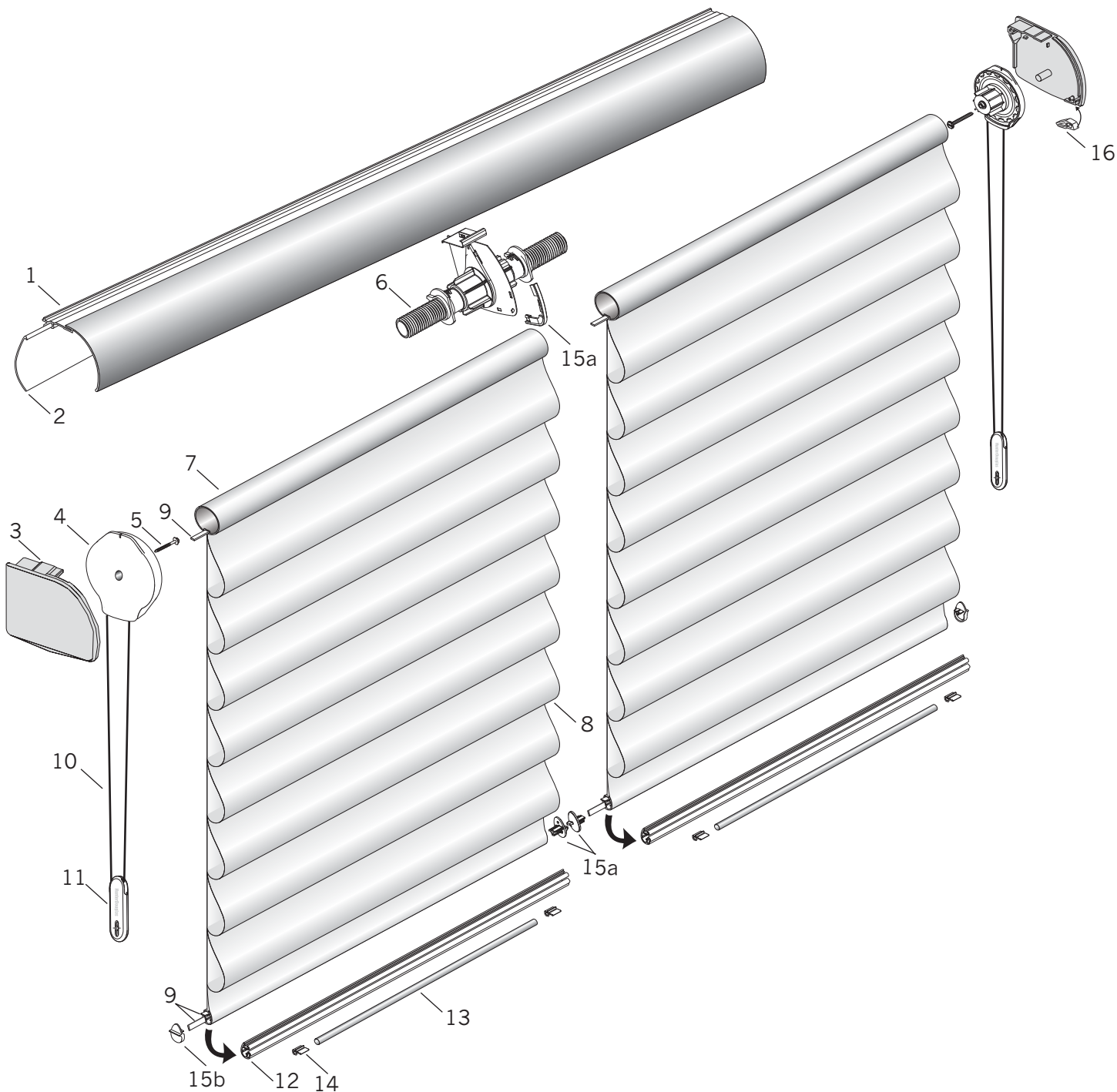
- | | | |
|----------------------------|--|-------------------------------|
| 1. Fabric-Covered Headrail | 7. Screw (Limit Side) | 13. Bottom Rail |
| 2. Fabric Guard | 8. Rotator Rail | 14. Bottom Rail End Cap (Set) |
| 3. Headrail End Caps | 9. Cord Loop | 15. Bottom Rail Weight |
| 4. Clutch | 10. Universal Cord Tensioner | 16. Bottom Rail Weight Clip |
| 5. Screw (Clutch) | 11. Fabric | 17. Snap in Rail Stop |
| 6. Limit Assembly | 12. Poly Rod Assembly ^W /Adhesive | |

Vignette® Tailored

No.	PCN	Description
1.	3400010320	Fabric-Covered Headrail
2.	3400320000	Fabric Guard
3.	3400020XXX	Headrail End Cap Set
4.	3400034000	Clutch
5.	4150159000	Screw (Clutch)
6.	3402168000	Vig. Limit Assembly, Right
	3402167000	Vig. Limit Assembly, Left
7.	4150158000	Screw (Limit Side)
8.	3400100xxx	Rotator Rail
9.	Cord Loop	
	3400120000	1'
	3400130xxx	2'
	3400140xxx	3'
	3400150xxx	4'
	3400160xxx	5'
10.	4150042xxx	Universal Cord Tensioner
11.	N/A	Fabric – 6" Flat Fold Size
12.	N/A	Poly Rod Assembly ^w /Adhesive
13.	3400350785	Bottom Rail
14.	3401095xxx	Bottom Rail End Cap (Set) (25 Sets/Carton)
15.	3400210000	Bottom Rail Weight
16.	3400070785	Bottom Rail Weight Clip
17.	3402194000	Snap-In Rail Stop (Only used on shades 30" or less in length)

xxx = 3-digit color code

Vignette® Two-On-One Headrail



Standard Parts

- | | | |
|----------------------------|---|-------------------------------|
| 1. Fabric-Covered Headrail | 7. Rotator Rail | 13. Bottom Rail Weight |
| 2. Fabric Guard | 8. Fabric | 14. Bottom Rail Weight Clips |
| 3. Headrail End Caps | 9. Poly Rod Assembly ^W /Adhesive | 15. Bottom Rail End Cap (Set) |
| 4. Clutch | 10. Cord | 15a. Inside |
| 5. Screw (Clutch) | 11. Universal Cord Tensioner | 15b. Outside |
| 6. Center Support Assembly | 12. Bottom Rail | 16. Snap in Rail Stop |

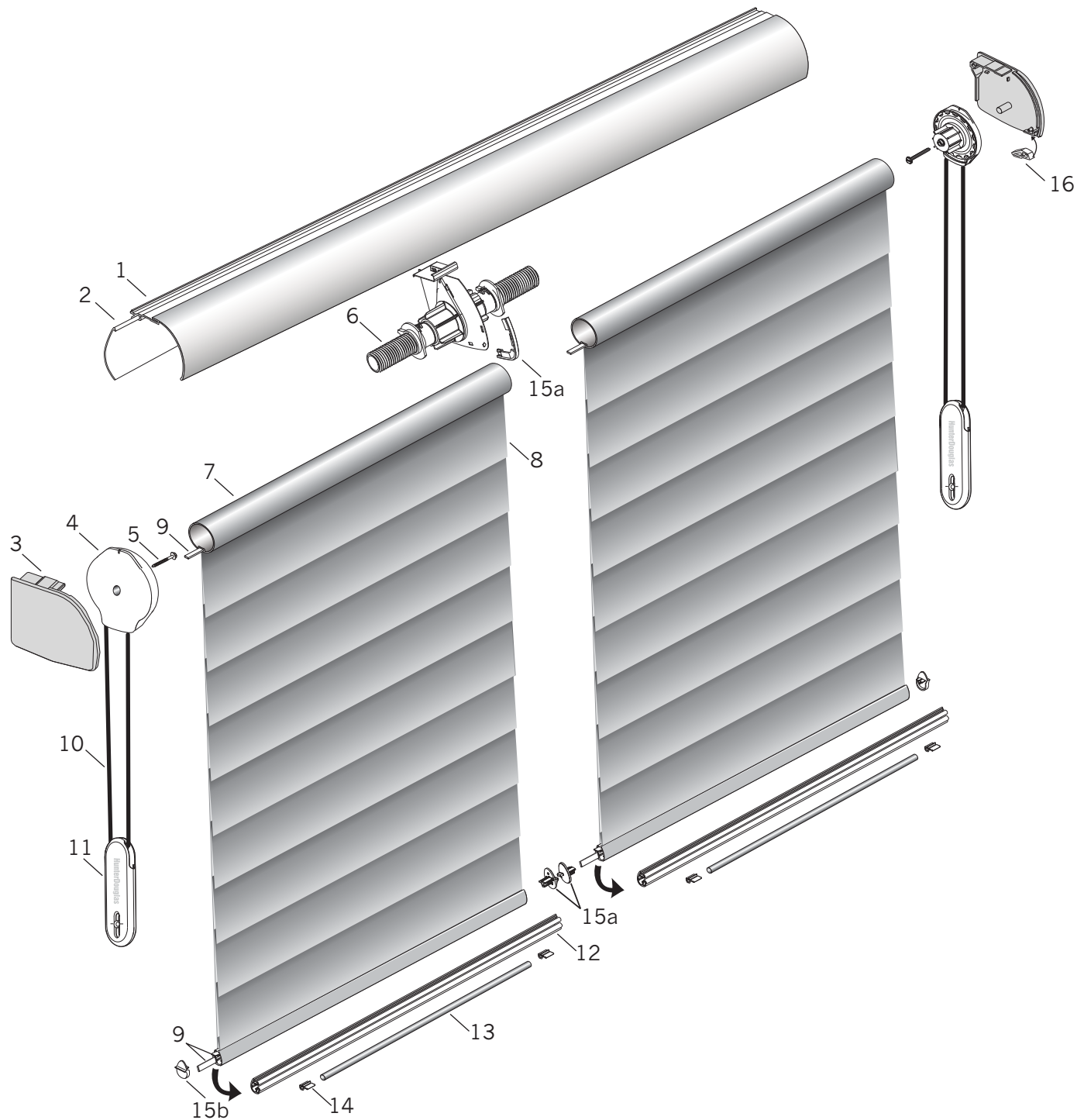
Vignette® Two-On-One Headrail

No.	PCN	Description
1.	3400010320	Fabric-Covered Headrail
2.	3400320000	Fabric Guard
3.	3400020XXX	Headrail End Cap Set
4.	3400034000	Clutch
5.	4150159000	Screw (Clutch)
6.	3402169000	Center Support Assembly
7.	3400100xxx	Rotator Rail
8.	N/A	Fabric – 3" or 4" Fold Size
9.	N/A	Poly Rod Assembly ^w /Adhesive
10.	Cord Loop	
	3400120000	1'
	3400130xxx	2'
	3400140xxx	3'
	3400150xxx	4'
	3400160xxx	5'
11.	4150042xxx	Universal Cord Tensioner
12.	3400350785	Bottom Rail
13.	3400210000	Bottom Rail Weight
14.	3400070785	Bottom Rail Weight Clips
15.	Bottom End Caps	
15a.	3402170xxx	End Cap Bottom ^w /Stop Tab (Inside) and Stop Tab (3 Piece Set) (See Note Below)
15b.	3401095XXX	Bottom End Cap (Outside)
16.	3402194000	Snap-In Rail Stop (Only used on shades 30" or less in length)

NOTE: The Stop Tabs on the center bottom end caps contact the Stop Tab (cover on the front of part #6) when the shade is fully raised. The outer end caps do not have these tabs. The End Cap Bottom ^w/Stop Tab and the Stop Tab come on a three-piece tree.

xxx = 3-digit color code

Vignette® Tailored Two-On-One Headrail



Standard Parts

- | | | |
|----------------------------|---|-------------------------------|
| 1. Fabric-Covered Headrail | 7. Rotator Rail | 13. Bottom Rail Weight |
| 2. Fabric Guard | 8. Fabric | 14. Bottom Rail Weight Clips |
| 3. Headrail End Caps | 9. Poly Rod Assembly ^w /Adhesive | 15. Bottom Rail End Cap (Set) |
| 4. Clutch | 10. Cord | 15a. Inside |
| 5. Screw (Clutch) | 11. Universal Cord Tensioner | 15b. Outside |
| 6. Center Support Assembly | 12. Bottom Rail | 16. Rail Stop |

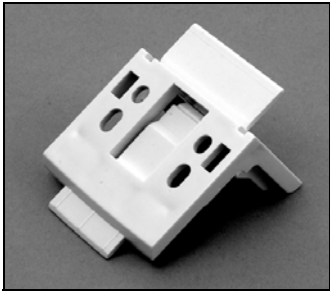
Vignette® Tailored Two-On-One Headrail

No.	PCN	Description
1.	3400010320	Fabric-Covered Headrail
2.	3400320000	Fabric Guard
3.	3400020XXX	Headrail End Cap Set
4.	3400034000	Clutch
5.	4150159000	Screw (Clutch)
6.	3402169000	Center Support Assembly
7.	3400100xxx	Rotator Rail
8.	N/A	Fabric – 6" Flat Fold Size
9.	N/A	Poly Rod Assembly ^w /Adhesive
10.	Cord Loop	
	3400120000	1'
	3400130xxx	2'
	3400140xxx	3'
	3400150xxx	4'
	3400160xxx	5'
11.	4150042xxx	Universal Cord Tensioner
12.	3400350785	Bottom Rail
13.	3400210000	Bottom Rail Weight
14.	3400070785	Bottom Rail Weight Clips
15.	Bottom End Caps	
15a.	3402170xxx	End Cap Bottom ^w /Stop Tab (Inside) and Stop Tab (3 Piece Set) (See Note Below)
15b.	3401095XXX	Bottom End Cap (Outside)
16.	3402194000	Snap-In Rail Stop (Only used on shades 30" or less in length)

NOTE: The Stop Tabs on the center bottom end caps contact the Stop Tab (cover on the front of part #6) when the shade is fully raised. The outer end caps do not have these tabs. The End Cap Bottom ^w/Stop Tab and the Stop Tab come on a three-piece tree.

xxx = 3-digit color code

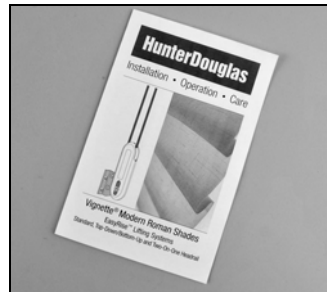
Vignette® Standard Additional Hardware



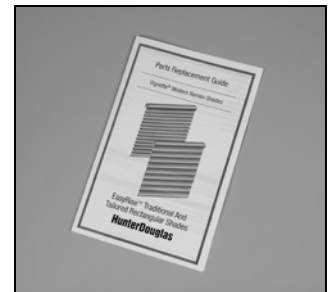
Installation Bracket with Shim
2-bracket package w/screws
PCN 3400240000
3-bracket package w/screws
PCN 3400250000



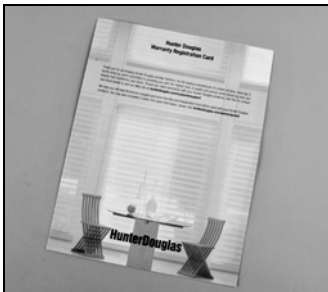
Kit UCT Install, Inside-Outside
Bracket (**Required for shade
Operation**)
PCN KIT2350



Vignette® Modern Roman Shades
EasyRise™ Lifting Systems
Standard, Top-Down/Bottom-Up,
and Two-On-One Headrail
Installation Instructions
PCN 5105308000

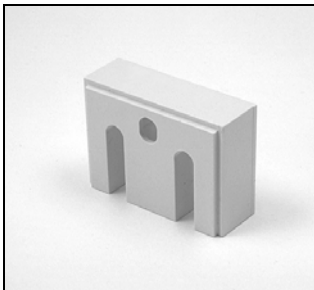


Vignette® Modern Roman Shades
EasyRise™ Traditional & Tailored
Parts Replacement Guide
PCN 5106057000

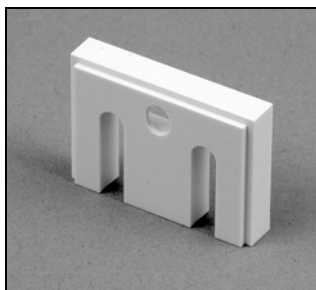


Hunter Douglas Warranty
Registration Card
PCN 7109933000

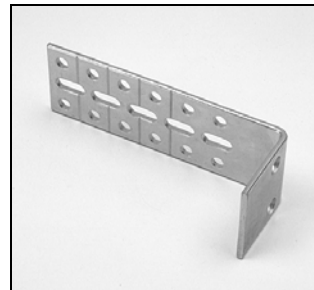
Optional Hardware



1/2" Spacer Block
PCN 2930230000



1/4" Spacer Block
PCN 4150239000



End Mount Extension Bracket
PCN 2930340000



Magnetic Hold-Down Kit
PCN KIT9111