

Parkland™ Wood Blinds Collection



Parkland™ Wood Blinds collection is one of the most comprehensive wood blind programs in the market today. Constructed from the finest hardwoods, Parkland wood blinds have the inherent beauty of natural wood grain and color variation.

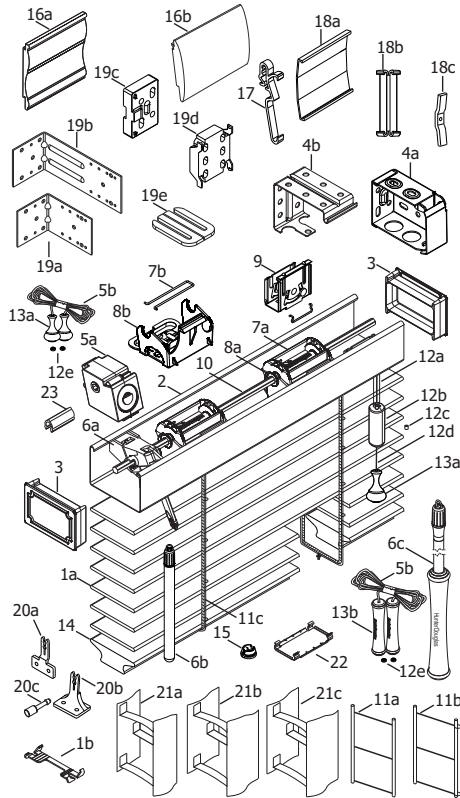
KEY FEATURES

- Hunter Douglas Lifetime Guarantee
- Low VOCs and GREENGUARD Gold Certified
- Harvested from responsibly managed forest
- Designed and assembled in the USA
- Resistant to fading and moisture
- Optional LiteRise® cordless lift system provides added child safety



| | | | | | | |
|------------------|----------------------|------------------|-----------------|--------------------|--------------------|---------------------|
| | | | | | | |
| 801 Bright White | 867 Vivid White | 808 Eggshell | 809 Linen | 451 Designer White | 473 Bavarian Creme | 450 Distictly White |
| | | | | | | |
| 453 Cottonwood | 638 Malted Milk | 639 Fall Rustle | 640 Craft Paper | 830 Natural | 632 Palamino | 613 Maple Honey |
| | | | | | | |
| 869 Cottage Pine | 870 Warm Cherry | 804 Golden Oak | 467 Fruitwood | 634 Salt & Pepper | 616 Harvest | 466 Hickory |
| | | | | | | |
| 635 Bungalow | 489 Prairie | 636 Thoroughbred | 618 Tuscany | 470 Walnut | 480 Mission Oak | 602 Windsor Walnut |
| | | | | | | |
| 468 Black Cherry | 481 Manchester Brown | 471 Espresso | 637 Velvet Rope | 112 Black | | |

HunterDouglas 
Architectural



STANDARD PARTS

- 1a. Slat
- 1b. Tape Spacer
- 2. Headrail
- 3. Headrail End Cap
- 4a. Installation Bracket
- 4b. Intermediate Support Bracket
- 5a. Cord Tilter
- 5b. Tilt Cord 1.4mm
- 6a. Wand Tilter
- 6b. Wand
- 6c. Decorative Tilt Wand Assembly
- 7a. Tape Roll 2" Unv. EPIC™
- 7b. Tape Roll Pin
- 8a. Tape Roll Support (Ladders)
- 8b. Tape Roll Support (Dec Tapes)
- 9. Cordlock
- 10. Tiltrod
- 11a. No Loop Cable Tape
- 11b. Single Loop Cable Tape
- 11c. Double Loop Cable Tape
- 12a. Lift Cord 1.4mm
- 12b. Cord Stop
- 12c. Cord Stop Washer
- 12d. Tassel Cord 2.2mm
- 12e. Lift Cord Grommet
- 13a. Wood Tassel
- 13b. Decorative Wood Tassel
- 14. Bottom Rail

- 15. Tape Button
- 16a. Grandover™ Valance
- 16b. Artemis™ Valance
- 17. Universal Valance Clip
- 18a. Valance Splice
- 18b. Universal Valance Corner Key
- 18c. Child Safety Kit (Cord Cleat)

OPTIONAL PARTS

- 19a. Short Extension Bracket
- 19b. Long Extension Bracket
- 19c. Spacer Block (Bracket)
- 19d. Spacer Block (Support Bracket)
- 19e. Bracket Shim
- 20a. Hold-Down Bracket (Jamb)
- 20b. Hold-Down Bracket (Sill)
- 20c. Hold-Down Pin
- 21a. Solid Colored Decorative Tapes (1" wide)
- 21b. Solid Colored Decorative Tapes (1½" wide)
- 21c. Patterned Decorative Tapes (1½" wide)
- 22. Tape Lock
- 23. Clip

PRODUCT SPECIFICATIONS

PART 2 – PRODUCTS

2.01 ACCEPTABLE MANUFACTURER

- A. Hunter Douglas Architectural / 13915 Danielson St., Ste.100/Poway, CA 92064 / Phone: 800-727-8953 / Fax: 800-205-9819 / Website: HDarchitectural.com or architect approved equivalent.
- B. Product substitutions must be approved by architect minimum of 30 days prior to close of bid.

2.01 2" HORIZONTAL WOOD BLINDS

A. **PRODUCT:** Hunter Douglas "Parkland™ 2" Horizontal Wood Blind"

B. MATERIALS:

- 1. **SLATS:** 2" wide x 1/8" thick cut from quality selected hardwood with slat ends stained or painted to match slat color. Furnish not less than nominal 6.9 slats per foot (cloth tapes 7.2 slats per foot) to ensure tight closure and light control. Finish with manufacturer's standard stained and lacquered or painted finish in colors selected by architect from manufacturer's available contract colors.
- 2. **SLAT SUPPORT:** Braided ladders of 100% polyester yarn color compatible with slats and spacing of ladder no more than 44mm. Optional cloth tapes constructed of high strength polyester webbing and spacing of no more than 44mm. Tapes spaced to comply with industry standards for size and weight of blind.
- 3. **HEADRAIL:** U-shaped profile with rolled edges, measuring 1 1/2" x 2 1/4" x .024" constructed of corrosion resistant steel and providing a sleek low profile design. Internally fit with components required for specified performance and designed for smooth, quiet, trouble-free operation. Headrail finish to be standard baked-on polyester and to coordinate with slats. Ends fitted with zinc-coated steel end lock with adjustable tab for centering blinds.
- 4. **BOTTOM RAIL:** 2" wide x 5/8" thick trapezoidal shape quality selected hardwood with ends stained or painted to match slats. Color-coordinated engineered polymer tape buttons secure the ladder and cord. Finish to be manufacturer's standard stained and lacquered or painted finish to match slats.
- 5. **LIFTING MECHANISM:** Engineering polymer and galvanized steel housing cordlocks with polymer roller bearing and steel locking dogs, two-ply polyester cord filler in braided polyester jacket lift cords meet or exceed commercial specification 1029.86, and cord stop / tassel. Located on either side of individual blind unit as per architect's request.
- 6. **TILTING MECHANISM:** Permanently lubricated and fully enclosed standard cord tilt holds and tilts slats at any angle. Solid steel, corrosion resistant tilt rod. Optional wand tilt of worm and gear construction with slip clutch incorporated into tilt mechanism.

- 7. **OPTIONAL TILT CONTROL WAND:** Rounded 3/8" diameter constructed of quality selected hardwood stained and lacquered or painted to match slats and detachable without tools. Located on either side of individual blind unit as per architect's request.
- 8. **MOUNTING HARDWARE:** Manufacturer's standard .030" steel box brackets with baked-on polyester finish to match headrail with additional support brackets for blinds over 48" wide.
- 9. **VALANCE:** Crafted of selected hardwoods, stained and lacquered or painted to match slats.
- 10. **ADDITIONAL AVAILABLE OPTIONS:** Wand Tilt, de-Light™ Feature, 2 or 3 Blinds on 1 Headrail, Hold Down Brackets, Cutouts, Cloth Tapes, PowerTilt™ with Platinum™ Technology, LiteRise® Cordless Lift System, Extension Brackets.

2.02 FABRICATION

- A. Blind measurements shall be accurate to within + 1/8" or as recommended in writing by manufacturer.

2.04 FINISHES

- A. **SLAT FINISH** for "Classics" selection from the following: 450 Distinctly White, 453 Cottonwood, 451 Designer White, 801 Bright White, 473 Bavarian Cream, 867 Vivid White, 808 Eggshell, 809 Linen, 640 Craft paper, 639 Fall Rustle, 638 Malted Milk, 632 Palomino, 830 Natural, 613 Maple Honey, 869 Cottage Pine, 634 Salt and Pepper, 467 Fruitwood, 804 Golden Oak, 870 Warm Cherry, 616 Harvest, 635 Bungalow, 466 Hickory, 636 Thoroughbred, 470 Walnut, 468 Black Cherry, 489 Prairie, 471 Espresso, 602 Windsor Walnut, 480 Mission Oak, 481 Manchester Brown, 637 Velvet Rope, 618 Tuscany, 112 Black.
- B. **SLAT SUPPORT** braided ladders shall be color coordinated with slat. Optional 1.5" solid cloth tapes available colors: 048 Black, 064 Bronze, 082 Camel, 292 Terracotta, 293 Bordeaux, 302 Taupe, 336 Chestnut, 378 Sable, 430 Amber, 450 White, 500 Celery, 504 Moss, 572 Spruce, 613 Lake, 614 Ivory, 627 Heritage Blue, 685 Indigo, 830 Almond, 909 Country Redwood, 973 Antique White, 418 Buttercup, 500 Celery, 504 Moss, 627 Heritage Blue, 292 Terracotta, 769 Eggplant. 1.5" patterned tapes available colors: 060 Antique Stripe, 061 Chestnut Stripe, 062 Onyx Stripe, 063 Highlander Stripe, 068 Amber Stripe, 090 Black Stripe, 091 Burgundy Stripe, 092 Taupe Stripe, 093 Cream Stripe, 712 Ivory Paisley, 716 Cranberry Paisley, 717 Vienna Dawn, 718 Vienna Sunset, 719 Vienna Twilight, 720 Vienna Midnight, 723 Autumn Penny, 727 Laurel Brownstone, 820 Butterscotch, 821 Truffle, 822 Licorice, 823 Lingonberry, 824 Popcorn, 852 Nightlife, 884 Paprika, 914 Clove, 916 Glamour, 917 Sophistication, 918 Copper Luster. 1" available colors: 450-1 White, 973-1 Antique White, 830-1 Almond, 082-1 Camel, 430-1 Amber, 336-1 Chestnut, 302-1 Taupe, 378-1 Sable, 293-1 Bordeaux, 500-1 Celery, 685-1 Indigo, 048-1 Black.