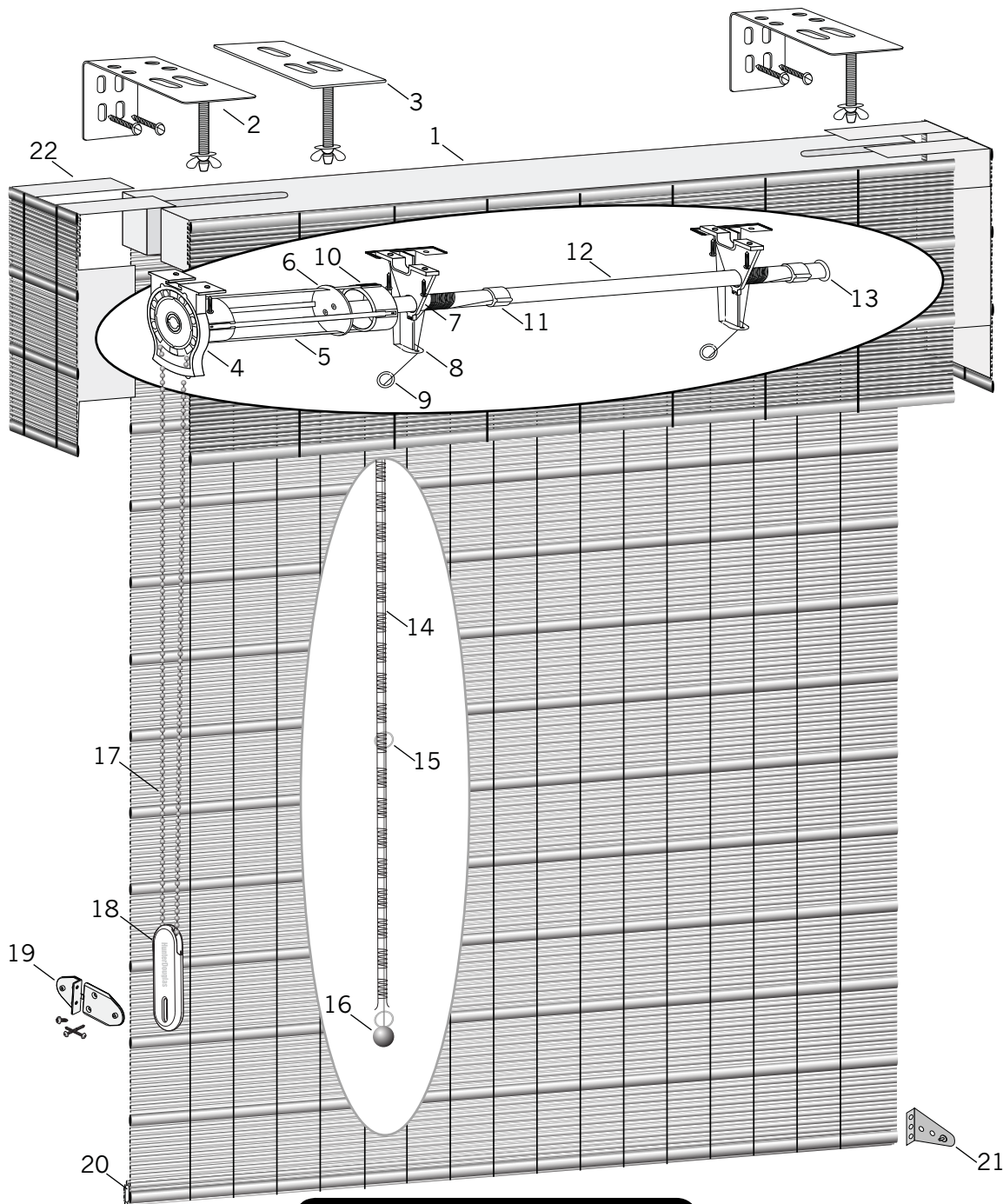


Standard With Clutch



Standard Parts

- | | | |
|--------------------------------------|-------------------------------|------------------------------------|
| 1. Clutch Headrail | 8. Stop Bracket | 17. Bead Chain |
| 2. Standard Installation Brackets | 9. Grommet Set | 18. Universal Cord Tensioner (UCT) |
| 3. Ceiling Mount Brackets (Optional) | 10. Drive Disk Spear Retainer | 19. UCT Mounting Kit |
| 4. Clutch | 11. Cord Clip | 20. Bottom Wood Slat |
| 5. Spears | 12. Fiberglass Shaft | 21. Hold-Down Brackets (Optional) |
| 6. Disk Screws | 13. Shaft End Cap | 22. Returns |
| 7. Standard Shaft Bracket | 14. Cord | |
| | 15. Split Ring | |
| | 16. Round Cord Stop | |